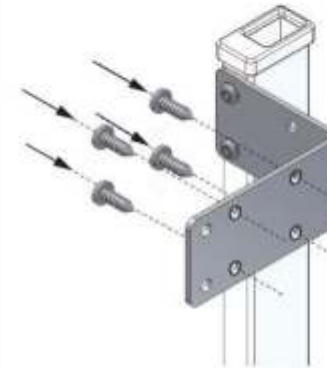
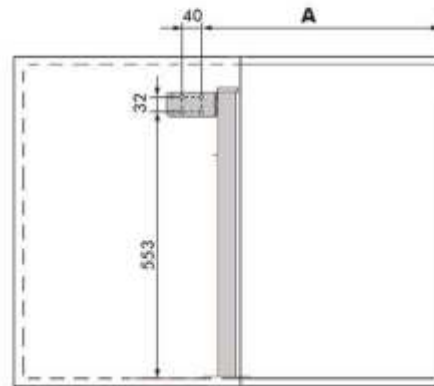
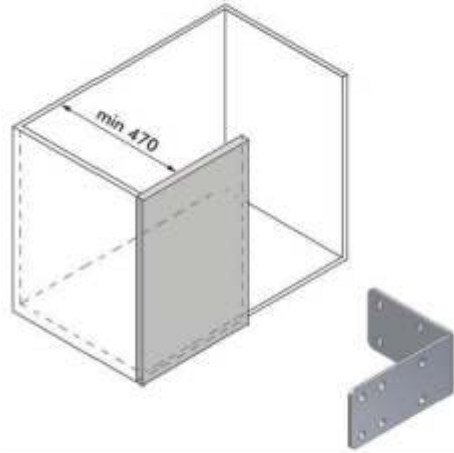
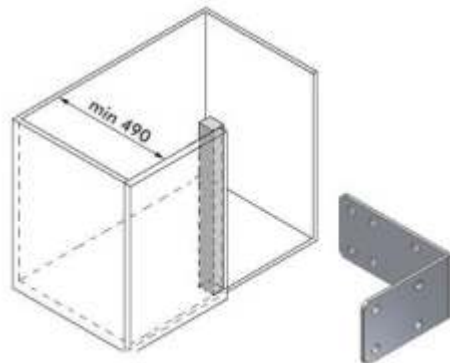


CABINET WITHOUT VERTICAL WOODEN CROSS:



CABINET WITH VERTICAL WOODEN CROSS :



| | A |
|---------|----------|
| MOD 450 | 493 |
| MOD 500 | 543 |
| MOD 600 | 643 |

